

## INNOVATIVE TECHNOLOGY

- applicable in vacuum systems like toilet systems, for suction removal of condensate in cooling systems or for suction removal of brackish water in shipyards

## DESIGN CONFIGURATION

- stainless steel AISI 316
- available in 6 variations
- motor in IE3 execution
- special winding with power factor

## NEW TECHNOLOGY WITH HUGE ADVANTAGES

- intake construction\* ensures closing of non return valve
- vacuum remains in system after shutdown
- no refilling of water after commissioning necessary
- safe generation of water ring
- smooth operation
- lubrication of mechanical seal by oil reservoir

## PROVEN CUTTING TECHNOLOGY

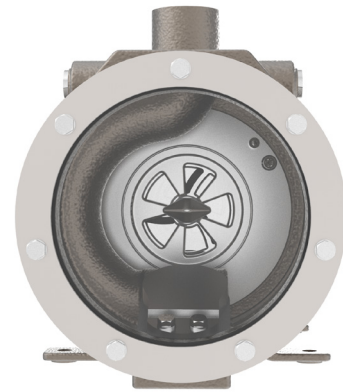
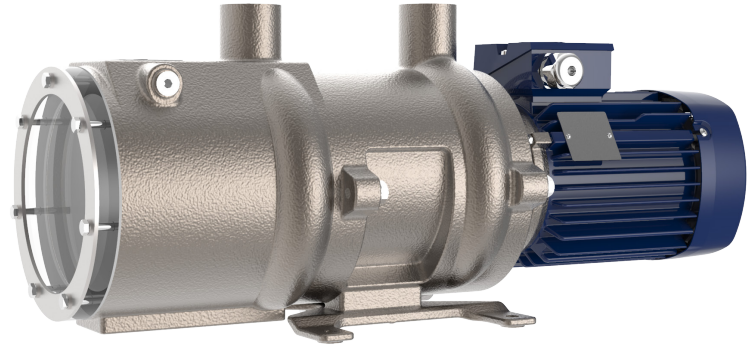
- cutting system - has been proven for 25 years
- agitator prevents ragging

## EASY AND FAST SERVICE

- easy maintenance
- easy replacement of wear parts

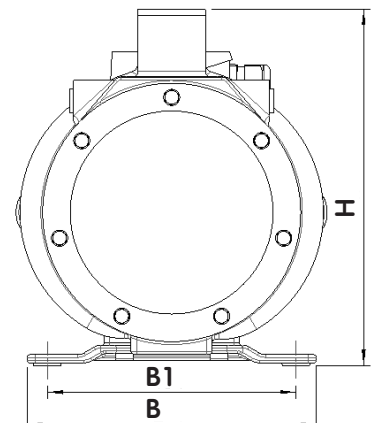
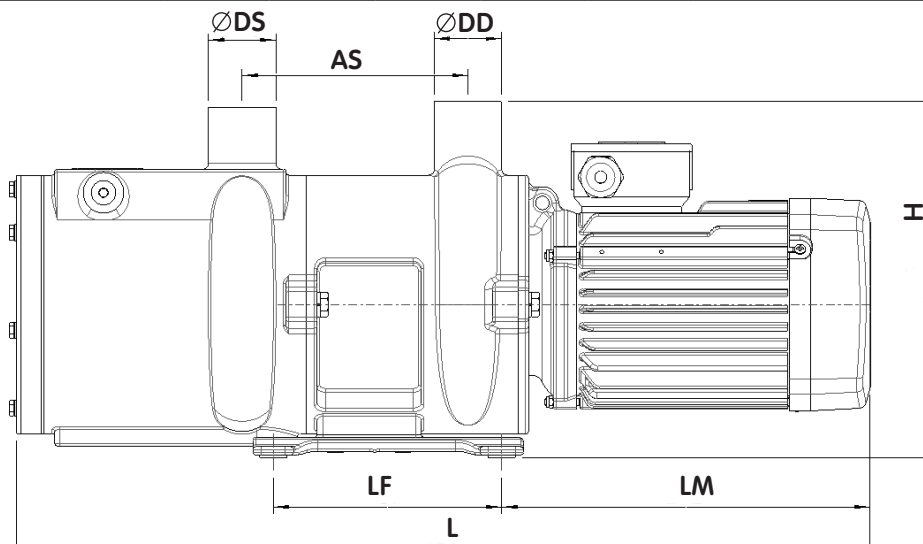
## EXECUTIONS

- available in all voltages and frequencies
- alternating current available for ORVACUT 100 and 150
- Ø 50 hose connection, ORVACUT 250 optionally available with loose flanges for suction and pressure side
- color according to customer requirement, standard RAL 5002



## DIMENSIONS in mm

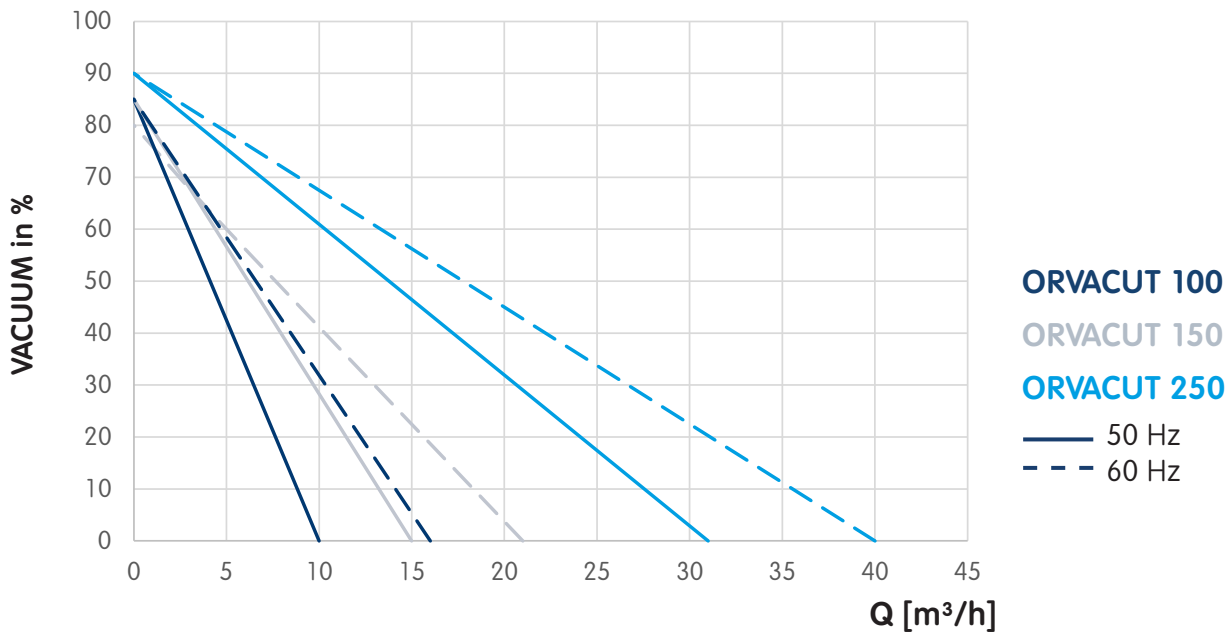
ORVACUT	L	LF	LM	B	B1	H	DS	DD	AS
100	642	169	284	214	184	263	Ø 50	Ø 50	167
150	642	169	284	214	184	263	Ø 50	Ø 50	167
250	785	260	264	230	150	275	Ø 50 /DN32 PN16	Ø 50 /DN50 PN16	258



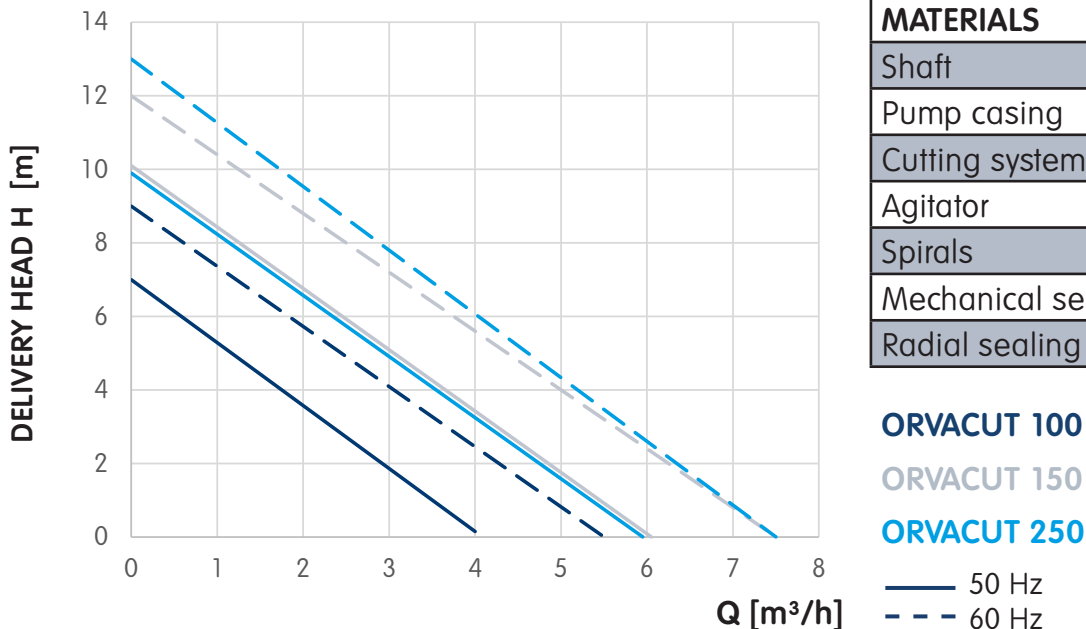
\* Utility model protection, registered for patent approval

OPERATING DATA							
Size		ORVACUT 100		ORVACUT 150		ORVACUT 250	
Voltage	V	230 / 400	255 / 440	230 / 400	255 / 440	400 / 690	480
Current	A	5,2 / 2,9	5,0 / 2,9	5,5 / 3,2	5,5 / 3,2	4,5 / 2,6	4,5
Nominal power	kW	1,3	1,6	1,5	1,8	2,2	2,6
cos Phi		0,85	0,85	0,85	0,85	0,85	0,85
Frequency	Hz	50	60	50	60	50	60
Speed	1/min	2.880	3.500	2.880	3.490	2.880	3.510

## DELIVERY RATE AIR



## DELIVERY RATE WATER



MATERIALS	
Shaft	1.4021
Pump casing	1.4404
Cutting system	1.4528
Agitator	1.4528
Spirals	1.4571
Mechanical seal	SiC/SiC
Radial sealing	Viton

**ORVACUT 100**  
**ORVACUT 150**  
**ORVACUT 250**  
 — 50 Hz  
 - - - 60 Hz